

PROJECT NAME: _____

DATE: _____

JOB LOCATION: _____

COMPANY: _____

SPECIFIER: _____

PLEASE USE ADOBE READER OR ADOBE ACROBAT TO FILL OUT AND SAVE FORM. USING OTHER PROGRAMS COULD RESULT IN UNSAVED DATA.

MODEL

QUANTITY

MODEL

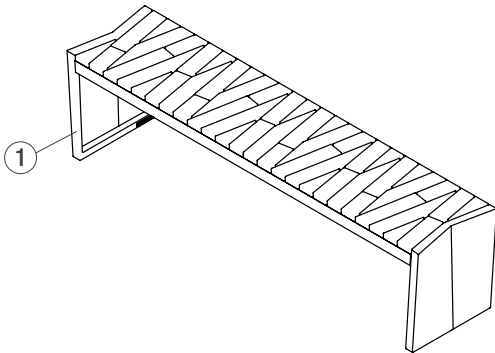
SBBWK-72AC

Boardwalk Bench, FSC® Recycled 100% Cumaru hardwood slats

FSC License Code: FSC-C004453

OPTIONS

FREESTANDING BENCH



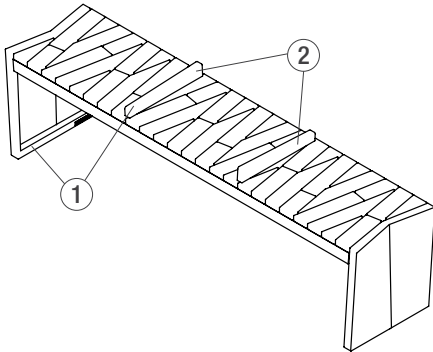
1 Frame & Seat Divider Powdercoat Color Options

Please select **one** option below and write in specified color.

Standard Texture from F+S Powdercoat Color Chart

Custom RAL Powdercoat Color (subject to upcharge)

FREESTANDING BENCH WITH SEAT DIVIDERS



2 Optional Seat Dividers

Yes (subject to upcharge)

No

Mounting Options

Freestanding

Surface Mount*

Add F+S stainless steel mounting hardware kit*

Do not include F+S mounting kit

*Hardware is required for surface mount benches. Mounting kits can be purchased from F+S for an additional charge.

NOTES

Please send completed forms to sales@forms-surfaces.com or contact us at 800.451.0410 with any questions.